

A new level of access

# Executive 1m Steplift

The new Executive 1metre Steplift boasts a smaller footprint along with an increased load capacity - now capable of lifting 280kg to a maximum of 1m between two floors.

With increased clear access, the hydraulically driven, scissor based platform is suitable for both internal and external environments. Functional yet uber-stylish, our Executive 1m Steplift will complement any modern space, moving quietly between floors to provide safe and reliable access. Further key features include an on-board drive and powered upper and lower gates combined with the ramp (no pit).

---

<b>New model</b>	<b>Battery operation</b>
<b>Smaller footprint</b>	<b>Higher carrying capacity</b>

---

## ► Features

- Pump unit is integrated within the lift offering reduced vandalism risk
- No need for separate control unit or pump location
- Easy access to pump for servicing
- Easier and faster to install
- Simpler to use
- More compact
- New stylish protective bellows - more rigid/durable
- Improved IP 67 rated switching (waterproof) with easy service access
- Easy to use emergency lowering system
- 1 day installation - minimal builders work
- Can be relocated
- Low maintenance

## ► Sectors

 Public Access

 At Home

## ► Platform Sizes

800 x 1400mm

900 x 1400mm

1100 x 1400mm

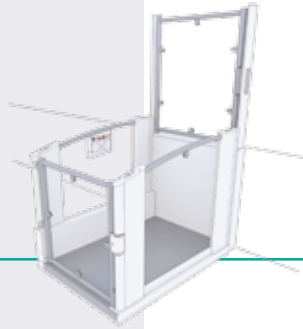
## ► Options

- |          |                                    |
|----------|------------------------------------|
| Gate     | ■ Automatic upper gate             |
|          | ■ Automatic lower gate             |
|          | ■ On board ramp                    |
|          | ■ Auto closers                     |
| Controls | ■ Full braille controls            |
|          | ■ Autodialler                      |
|          | ■ Alarm                            |
|          | ■ Keyswitch                        |
|          | ■ Keyswitch isolation              |
|          | ■ Remote controls                  |
|          | ■ Full ambulant user controls      |
|          | ■ Full controls at serviced floors |
| Finish   | ■ Handrails                        |
|          | ■ Coloured safety flooring         |
|          | ■ Silicon acrylic infill panels    |
|          | ■ Aluminium infill panels          |
|          | ■ Custom colour                    |

## ➤ Configurations

All measurements are in millimetres (mm)

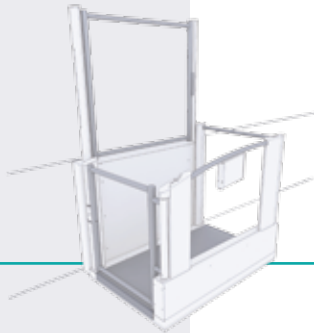
### Through Entry



Models	Internal Dims	External Dims*
800 standard	800 x 1400	980 x 1700
900	900 x 1400	1080 x 1700
1100	1100 x 1400	1280 x 1700

\* Ramp/No Upper - 1700    Ramp & Upper - 1810

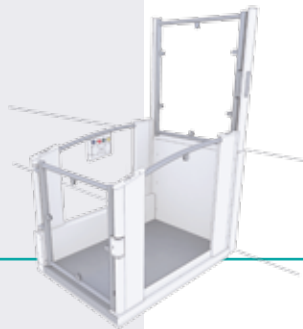
### Adjacent Entry/Exit



Models	Internal Dims	External Dims*
800 standard	800 x 1400	980 x 1700
900	900 x 1400	1080 x 1700
1100	1100 x 1400	1280 x 1700

\* Ramp/No Upper - 1700    Ramp & Upper - 1810

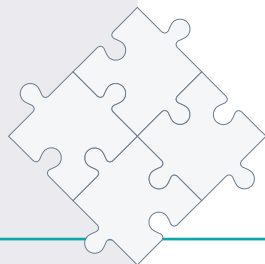
### Pit Mounted



Models	Internal Dims	External Dims*
800 standard	800 x 1400	980 x 1455
900	900 x 1400	1080 x 1455
1100	1100 x 1400	1280 x 1455

\* Lower Gate/No Upper - 1455    Lower & Upper Gate - 1565

### Bespoke Option



We can create a Steplift that is bespoke to your needs. We will assist with site requirements and advise on regulations and legislation (e.g. platform sizes, control requirements etc). We will ensure that your lift not only performs exactly as you want, but also looks exactly how you need it to.



## Technical Specifications

Location	Internal or External environments
Usage	Public or domestic use by ambulant and wheelchair users
Maximum passengers	Wheelchair user plus attendant (lower gate required)
Lift Safe Working Load	280kg
Platform Sizes (w) x (l)	800 x 1400mm   900 x 1400mm   1100 x 1400mm
Design & Manufacturing Standard	BS 6440:2011; Machinery Directive 2006/42/EC

**UK Lift & Escalator Company Limited**

10 Austin Boulevard,  
Quay West,  
Business Village,  
Sunderland SR5 2AL

**Telephone:** 0845 63 43 172

**Fax:** 0191 5022529

**Email:** [info@ukliftandescalator.co.uk](mailto:info@ukliftandescalator.co.uk)

**Web:** [www.ukliftandescalator.co.uk](http://www.ukliftandescalator.co.uk)